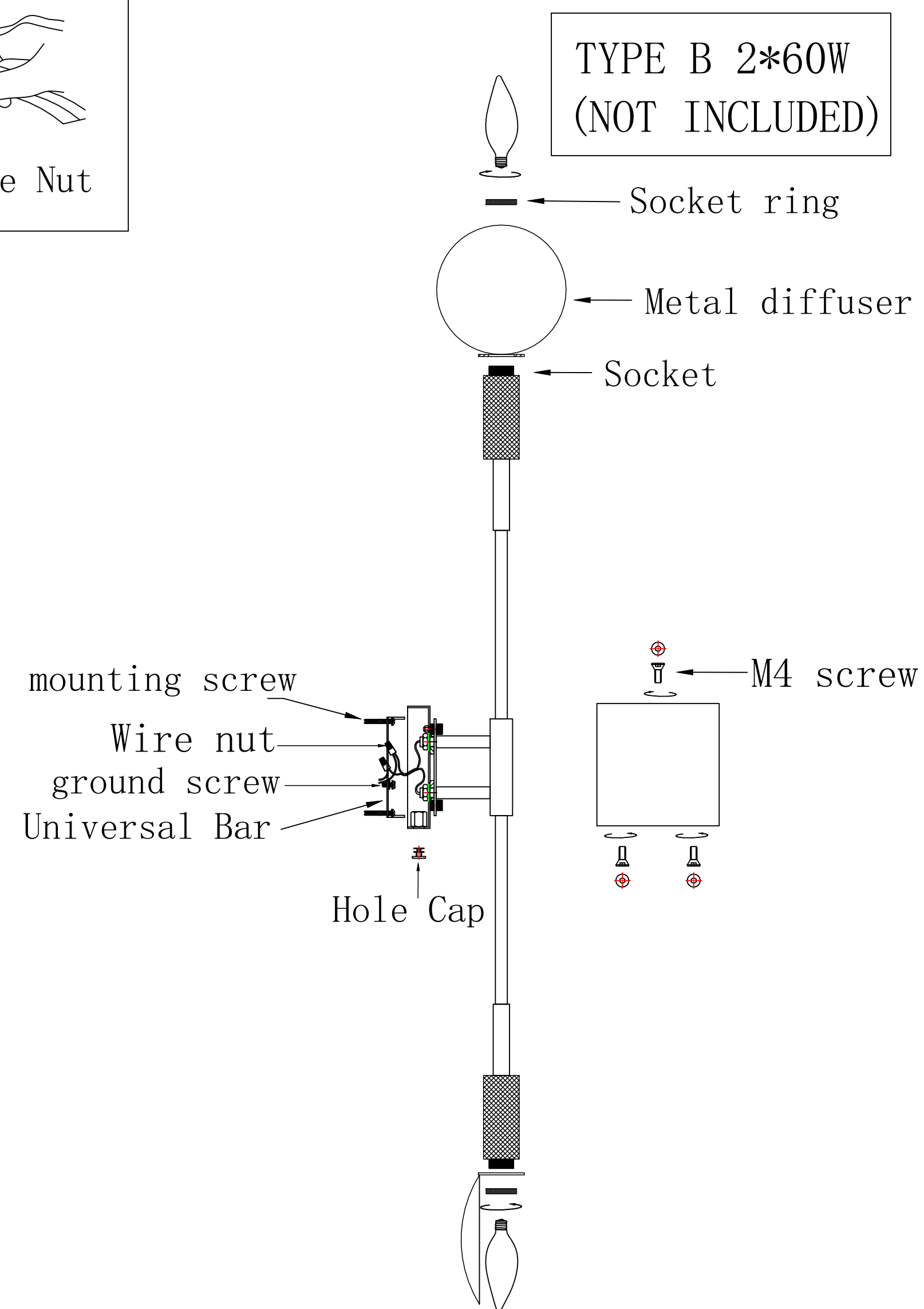
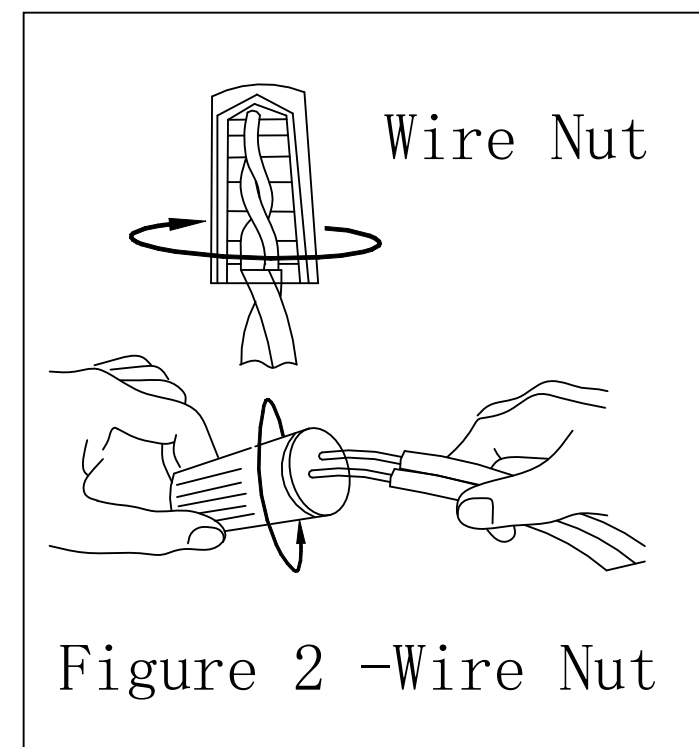


REVELATION
by UTTERMOST
ASSEMBLY INSTRUCTIONS

Illustration for Fixture version

ITEM NO.:R22560



REVELATION
by UTTERMOST
ASSEMBLY INSTRUCTIONS

Parts and Hardware List

ITEM NO: R22560

A.	Hole Cap	1PC
B.	M4 Screw	3PCS
C.	Universal Bar	1PC
D.	Mounting Screw	2PCS
E.	Green Ground Screw	1PC
F.	Wire Nut	3PCS
G.	Hole cap	1PC

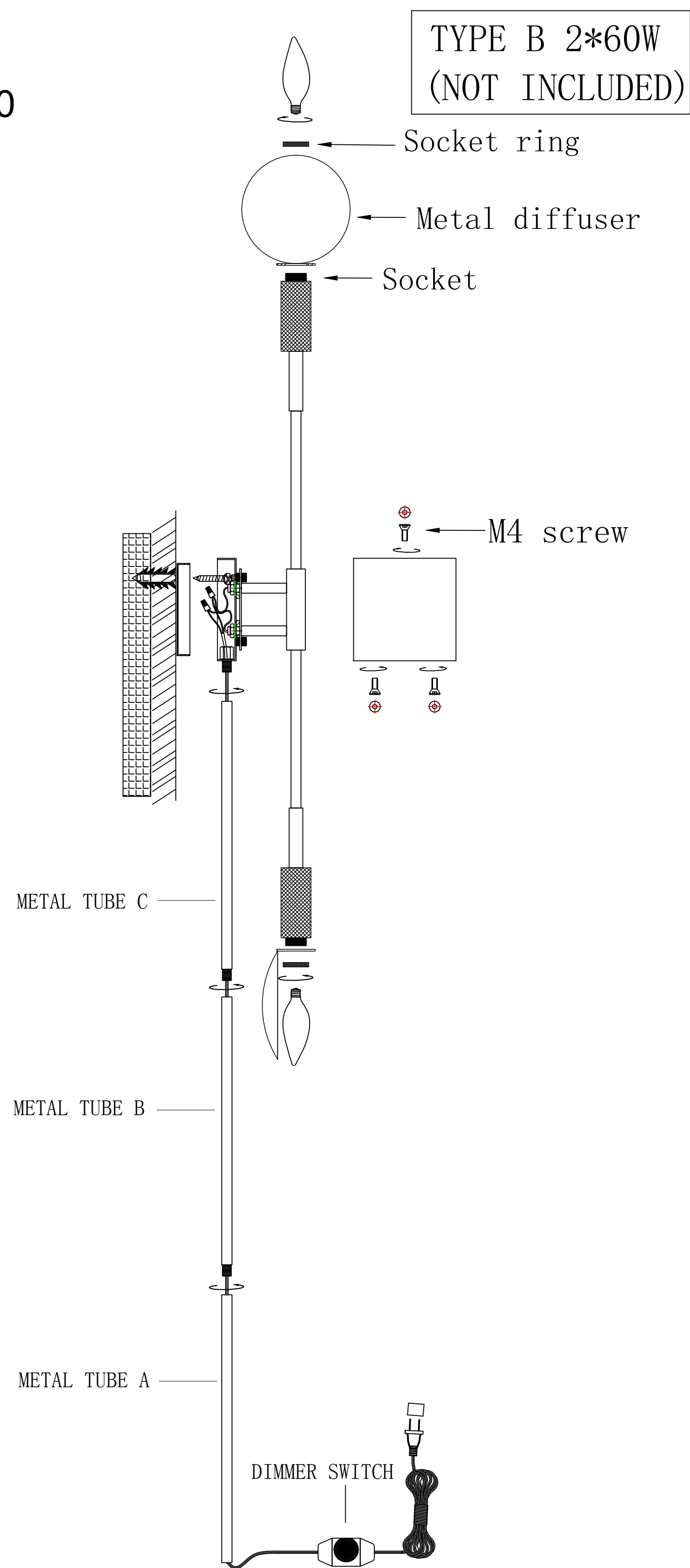
WARNING: BEFORE INSTALLING, make sure the electricity supply is shut off to avoid a possible electric shock. We suggest a licensed electrician for all installations.

- Carefully remove the parts and hardware from the carton.
- Fasten the Universal bar onto the Outlet Box using the mounting screw .
- Install both ground wires in the Universal bar with the Green Ground Screw supplied.
- Place the white wire, ribbed or tinted wire evenly against the white wire from the outlet box and place the black, smooth or un-tinted wire evenly against the black wire from the outlet box. (Connecting the Wires - See Figure 2)
- Attach the backplate to fix universal bar, and secure with the M4 screws.
- Place the metal diffuser on the socket, then screw the socket ring clockwise onto the socket until the metal diffuser is secured.
- Install 2*60Watt max, Type B bulb (NOT INCLUDED) into the socket of the fixture.

REVELATION
by UTTERMOST
ASSEMBLY INSTRUCTIONS

Illustration for Portable version

ITEM NO.:R22560



P.O. Box 558 | 3325 Grassy Hill Road | Rocky Mount, VA | 24151
www.uttermost.com/Revelation

REVELATION
by UTTERMOST
ASSEMBLY INSTRUCTIONS

Parts and Hardware List

ITEM NO: R22560

A.	M4 screw	3PCS
B.	Closed Bar for Portable	1PC
C.	Tapping screw	2PCS
D.	Plastic Anchor	2PCS
E.	Knurl Screw	4PCS

WARNING: BEFORE INSTALLING, make sure the electricity supply is shut off to avoid a possible electric shock. We suggest a licensed electrician for all installations.

- Carefully remove the parts and hardware from the carton.
- Attach the backplate to fix closed bar, and secure with the M4 screws.
- Screw the metal tube C to the backplate; screw the metal tube B to the metal tube C; screw the metal tube A to the metal tube B.
- The Plastic Anchors and Tapping screws fasten on the wall, then the wall sconce hang on the Tapping screws.
- Place the metal diffuser on the socket, then screw the socket ring clockwise onto the socket until the metal diffuser is secured.
- Install 2*60 Watt max, Type B bulb (NOT INCLUDED) into the socket of the fixture.

P.O. Box 558 | 3325 Grassy Hill Road | Rocky Mount, VA | 24151
www.uttermost.com/Revelation